



JOWI Octopus D1 Spray Table



JOWI Octopus D2 Spray Table

Assembly and Instruction Manual **Octopus Spray Table**



Mobile Racks and Transport Racks

Congratulations.....	3
Important.....	3
Assembling your JOWI Spray Table.....	3
1. Open the cardboard box and check that the contents are correct.....	3
2. Assembly.....	4
3. Wrapping with protective film and cleaning.....	4
4. Your JOWI Octopus Spray Table is now ready for use!.....	4
Intended use.....	4
Technical safety.....	5
Mechanical stability and protection against explosion.....	5
Adjusting your Octopus Spray Table.....	6
Placing items on the table.....	6
Technical information:.....	6
Repairs and maintenance.....	7
Regular inspections.....	7
Dismantling and disposing of the table.....	7
All rights reserved.....	7
Liability.....	7

Congratulations

Congratulations on the purchase of this Octopus Spray Table from JOWI. This stand supports flat items whilst they are being spray-painted or varnished.

Important



These operating instructions contain important information regarding safety, use and maintenance. Please ensure that you read and fully understand all of these instructions before using your JOWI Octopus Spray Table for the first time. In the event that you sell your JOWI Octopus Spray Table to somebody else, please make sure that you pass on this instruction manual to the new owner. We expressly inform you that these instructions must be strictly adhered to if they are to protect personal health and safety, people's lives and property. As the manufacturer, we reserve the right to make changes to the instruction manual at any time and without prior notice. Changes can include, for example, adding further details, new information or improving instructions. You can request a copy of the current version of these operating instructions by sending an email to office@jowi.at or download the current version on our website www.jowi.at.



**This symbol is used in these operating instructions and means:
Important: Failure to comply with these operating instructions can result in the risk of injury, risk of death or possible damages.**

Some of the information in these operating instructions only applies to certain models. This is clearly indicated in each section.

Designs available:

JOWI Octopus **D1** Spray Table

JOWI Octopus **D2** Spray Table

Assembling your JOWI Spray Table

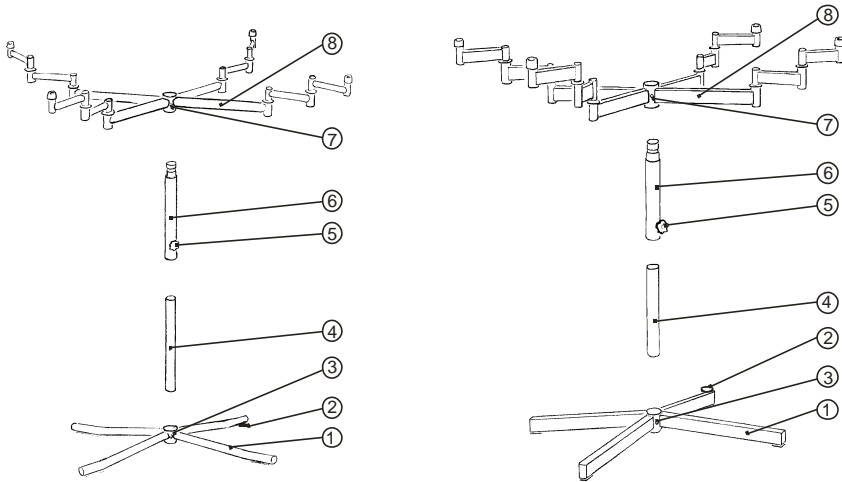
To assemble your spray table:

1. Open the cardboard box and check that the contents are correct.

The cardboard box should contain:

- 1 x base (1)
- 1 x lower column section (4)
- 1 x upper column section (6)
- 1 x rotating hub with rotatable arms (8)
- 4 x replacement protective caps for the support pads
- 1 x roll of stretch wrap with hand-held dispenser

2. Assembly



- Insert the lower column section (4) into the base (1) and tighten the screw (3).
- Fit the upper column section (6) on top of the lower column section (4) and tighten the knurled screws (5) to secure in place at the desired height.
- Insert the rotating hub with the rotatable arms (8) into the upper column section (6) and tighten the screw (7) to secure in place. Make sure that the hub is still able to rotate easily.

3. Wrapping with protective film and cleaning

- Wrap your Octopus Spray Table with the stretch wrap supplied, making sure that the film does not prevent the rotatable arms and rotating hub from moving.
- To ensure that your spray table stays in good working order, the varnish that builds up on the table needs to be removed every so often. Built up varnish can be removed using a hammer – the stretch wrap makes the whole process considerably easier.
- Once you have finished cleaning your Octopus Spray Table, re-wrap the table with stretch wrap.



Important: Do not clean the stand with a hammer in potentially explosive environments. Please refer to the section "Mechanical stability and protection against explosion".

4. Your JOWI Octopus Spray Table is now ready for use!

Intended use

The JOWI Spray Table has been designed exclusively for supporting components and materials while being sprayed with paint or varnish.

- These materials need to possess either a single flat surface or separate support points on the same plane within the reach of the support pads.
- The weight of materials should not exceed the maximum load capacity for a given spray table. (Please refer to the corresponding data in the chapter "Technical information", or the label on your Octopus Spray Table.)

- Materials should be no longer or wider than twice the length and width of the area formed by the support pads.

Environmental requirements: The JOWI Octopus Spray Table has been designed for indoor use in areas with:

- an approximately level, horizontal floor,
- a temperature between 10°C and 80°C,
- a relative humidity of <50% (not condensing). The table should not come into contact with any corrosive substances.

Using the table in any other way could be dangerous. The manufacturer shall not be held liable or responsible for any damages that are caused by incorrect use or operation of the spray table.

Technical safety



Always replace damaged parts of the spray table with original JOWI components. The manufacturer cannot guarantee that any other parts fully comply with safety standards. No other spare parts may be added to or integrated into the spray table unless they have been expressly approved by the manufacturer. If you fit any parts to your spray table other than original JOWI components, the warranty, compensation and product liability will be rendered null and void.

Mechanical stability and protection against explosion



Potential equalisation: Potential equalisation is essential where electrostatic processes are concerned and recommended in spray-painting and drying zones. Potential is equalised via the base of the stand. Make sure that the Octopus Spray Table is standing on a conductive surface and ensure that the contact points are kept clean.



Risk of explosion: Items that are tainted with solvent may lead to a potentially explosive atmosphere. Hitting the Octopus Spray Table with a hammer or other metal tools could generate sparks and is, therefore, forbidden in areas subject to explosion hazards. Please comply with your country's safety guidelines and regulations relating to this matter.

An explosion risk assessment should be carried out for the relevant areas and stations on your site by an explosion prevention expert, taking the following information into consideration. Other measures may need to be implemented in addition to those listed above.

Established explosion protection data:

Maximum potential $U < 12\text{kV}$,

Maximum ignition energy $E < 0.5\text{ mJ}$,

Surface resistance of the steel frame $R_a < 10\text{ Ohm}$ when placed on a conductive surface.

Adjusting your Octopus Spray Table

Adjusting the height: Adjust the height of the Octopus Spray Table to correspond to the height of the material being sprayed or to the height of the worker:



- Release the knurled screw (5)
- Raise or lower the top part of the table to the desired position
- Tighten the knurled screw back up

Positioning the support pads: The two swinging arms allow the support pads to be positioned at any point within the radius of the swinging arms. To do this, take hold of a support pad and move it to the desired position so that it will support the item that needs to be placed on the spray table. This ensures that the support pad remains clean.



Adjusting the base on the floor: An adjusting screw can be found on one of the legs of the table base. Turn this screw to the required position so that the base stands firmly on the floor.



Placing items on the table



 < xx kg

Maximum load capacity: Please refer to the corresponding data in the "Technical information" section, or the label on the spray table. The maximum load capacity corresponds to loads that are evenly distributed and does not apply to impact loads.



Centring material on the table: Please take particular care to position items on the spray table as centrally as possible, so that their centre of gravity is directly above the column (4, 6) – the centre of the spray table. Items that are not positioned centrally can cause the item to tip off, or the spray table to tip over.



Rotate the item until it is in the desired position: Handle the item on the table or the rotating hub carefully, turning both of them gently until they are in the desired position. Make sure that the item on the table does not slip, resulting in the centre of gravity moving away from the centre of the spray table (risk of tipping!)



Place materials gently on the table: Impact loads could overload the table and result in damage.

Technical information:

Maximum weight of items on the table:

Octopus D1: 80 kg

Octopus D2: 120 kg

Requirements: even load distribution, no impact loads

Repairs and maintenance



Regular inspections

Carry out regular inspections (depending on the wear and tear of the table), but AT LEAST once every year, checking:

- The tightness of all screws, tightening screws whenever necessary.
- The ease of movement of all rotating parts, as well as the swing arms, the rotating hub (8) and the ease with which the height of the column (4, 5) can be adjusted.
- The table should be fully cleaned and inspected for micro-cracks. Micro-cracks can, in rare cases, be caused by material fatigue, which often occurs as a result of exceptional loads. The inspection should pay particular attention to the following areas: all welded areas, especially the welding that joins the base (1) to the column, as well as the rotating hub (8) where it joins to the pivot bearing in the column.
- Also inspect the spray table for any other damage, such as bent or twisted parts. If you notice that the spray table is damaged, stop using it immediately. Damage may make the table less stable.
Replace any damaged parts with original JOWI parts. It cannot be guaranteed that any other parts fully comply with safety standards.

Dismantling and disposing of the table

Please respect your local recycling regulations.

All rights reserved

These instructions have been written to provide information to users of the corresponding products. This document may only be copied and circulated for this purpose.

This document cannot be used for any other purpose, including circulated in whole or in part, without prior written consent from JOWI Produktions- und Vertriebs GmbH.

Liability

As the manufacturer of the product described in this manual, we are unable to monitor whether these instructions are observed, nor are we able to monitor the way in which the product is operated, used and maintained. Incorrectly assembling, maintaining or servicing the table, or failing to carry out the minimum annual inspection, can result in material damage and put people's safety at risk.

We cannot be held accountable or liable for any direct or indirect loss, damage or costs that result from the incorrect installation, operation, use and maintenance of the table.

Once it is known that the table can no longer be used safely (e.g. once damage has been detected, etc.) the product must be taken out of use immediately.

JOWI Produktions- und Vertriebs GmbH
Untergrafendorf 70
3071 Böhheimkirchen
Austria

office@jowi.at

www.jowi.at